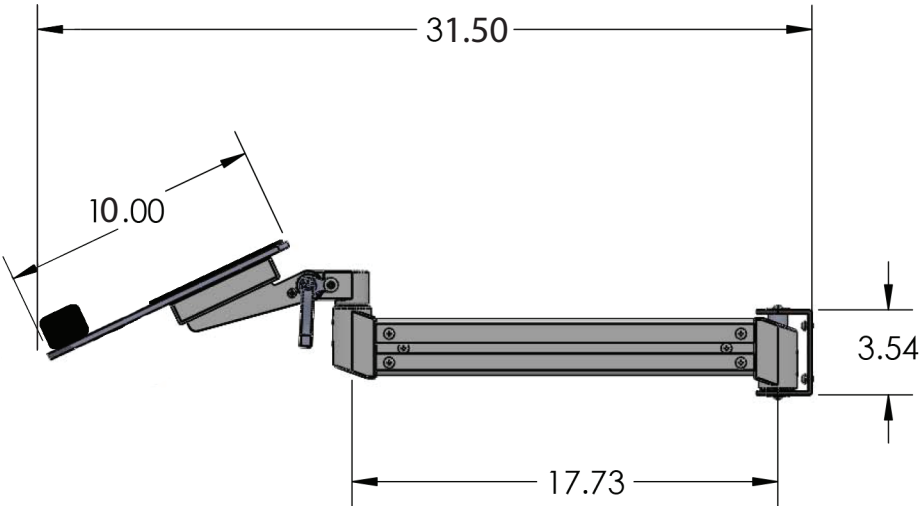
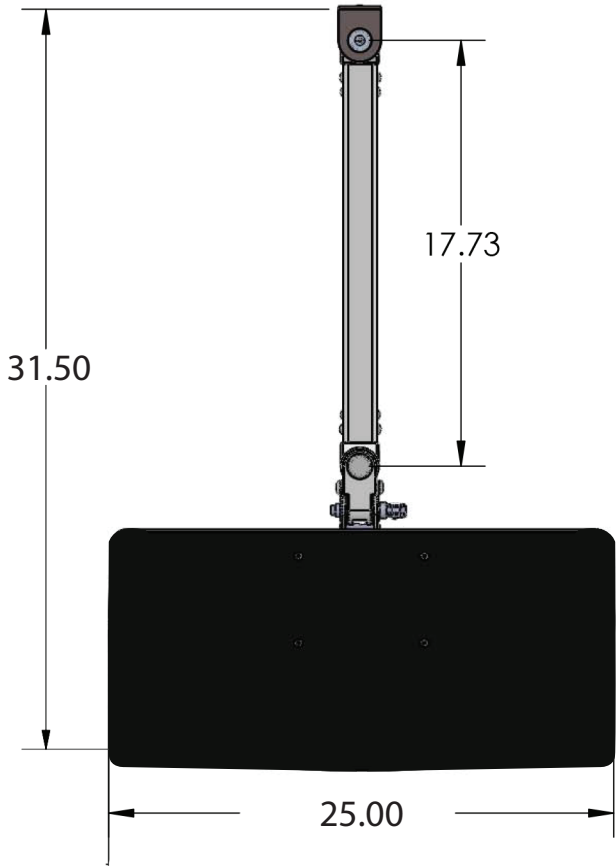


Drawing #: 60218-W  
 60218 Keyboard Tray Assembly



**PROPRIETARY AND CONFIDENTIAL**  
 THE INFORMATION CONTAINED IN THIS DRAWING IS THE SOLE PROPERTY OF CUSTOM PRODUCTS AND SERVICES. ANY REPRODUCTION IN PART OR AS A WHOLE WITHOUT THE WRITTEN PERMISSION OF CUSTOM PRODUCTS AND SERVICES IS PROHIBITED.

		UNLESS OTHERWISE SPECIFIED:		NAME	DATE	
		DIMENSIONS ARE IN INCHES	DRAWN	NJN	6-30-16	TITLE: 60218- W Wall Mounted Keyboard Platform With 18" Arm
		TOLERANCES:	CHECKED			
		FRACTIONAL ±	ENG APPR.			
		ANGULAR: MACH ± BEND ±	MFG APPR.			
		TWO PLACE DECIMAL ±	Q.A.			
		THREE PLACE DECIMAL ±	COMMENTS:			
		INTERPRET GEOMETRIC TOLERANCING PER:				SIZE
		MATERIAL				DWG. NO.
		FINISH				60218-W
NEXT ASSY	USED ON					REV
APPLICATION		DO NOT SCALE DRAWING				SCALE: 1:12
						WEIGHT:
						SHEET 1 OF 1